



# INSTALLATION INSTRUCTIONS FOR DIRECT VENT GS CHIMNEY LINER SYSTEM FOR USE WITH GAS APPLIANCES

---

## APPLICATION

These instructions apply to the Simpson Dura-Vent Direct Vent GS Chimney Liner System. This venting system, in combination with the gas appliance, has been tested and listed as a decorative gas appliance system, or as a direct vent heater system by a major testing agency such as UL, AGA, CGA, Omni or Warnock Hersey. Check the manufacturer's rating plate and instruction manual to confirm that the Simpson Dura-Vent Direct Vent GS Chimney Liner System is approved for use on the brand name appliance you have selected.

## IMPORTANT

Read all instructions carefully before starting the installation. Failure to follow these instructions may create a fire or other safety hazard, and will void the warranty. Be sure to check the appliance manufacturer's installation instructions for specific venting and clearance to combustibles requirements, which may vary from one appliance to another. **Do not extend the venting system in excess of the distance prescribed in the appliance manufacturer's installation instructions.**

## INSTALLATION PRECAUTIONS

The Simpson Dura-Vent Direct Vent Chimney Liner System is an engineered product that has been designed and tested for use with an approved list of direct vent gas appliances. The Simpson Dura-Vent warranty will be voided, and serious fire, health, or other safety hazards may result from any of the following actions:

- Installation of any damaged Chimney Liner component.
- Unauthorized modification of the Chimney Liner System
- Installation of any component part not manufactured or approved by Simpson Dura-Vent.
- Installation other than as instructed by Simpson Dura-Vent and the appliance manufacturer.

Consult your local building codes before beginning the installation.

## WARNING

• **Always maintain required clearances (air spaces) to nearby combustibles to prevent a fire hazard.** Be sure to check the appliance manufacturer's installation instructions for minimum clearance requirements between the outer walls of the vent pipe/liner system and nearby combustible surfaces. Be sure to check the vent termination clearance requirements from decks, windows, soffits, gas regulators, and air supply inlets, as specified in local building codes.

• **The gas appliance and vent system must be vented directly to the outside of the building, and never be attached to a chimney serving a separate solid fuel or gas-burning appliance.** Each direct vent gas appliance must use its own separate vent system. Common vent systems are prohibited.

## SAFETY PRECAUTIONS FOR THE INSTALLER

- Wear gloves and safety glasses for protection.
- Exercise extreme caution when using ladders or on roof tops.
- Be aware of electrical wiring locations in walls and ceilings.

## PARTS LIST

The Simpson Dura-Vent Direct Vent Chimney Liner System offers a complete line of component parts for installation. Please see our catalog for details.

<b>Number</b>	<b>Description</b>
923F	Co-Linear Flex Connectors
923GK	Direct Vent Chimney Liner Termination Kit (Baseplate & Co-Linear to Co-Axial Adaptor)
923GCL	Co-Axial to Co-Linear Appliance Connector (Standard)
923TCL	Co-Axial to Co-Linear Appliance Connector

(Connector for Travis Industries)

923VCL Co-Axial to Co-Linear Appliance Connector  
(Connector for Vermont Castings)

980 Vertical Termination Cap

991 Vertical Termination Cap, High Wind

2280 3" Chimney Liner Flex

790 3" Flex Puller (rope not included)

## PLANNING YOUR INSTALLATION

The Direct Vent Chimney Liner System was designed to be installed in an existing masonry or zero clearance chimney, and connected to either a stove, insert or other appropriate direct vent gas appliance. (Figure 1) It is important to carefully measure the length of flex needed to reach from the appliance outlet to the termination cap. If the flex length is too short, a flex coupler will be needed to attach an additional length of Flex Liner to make up the difference. If the flex length is too long, the liner could sag below the appliance outlet which could result in a potential fire hazard.

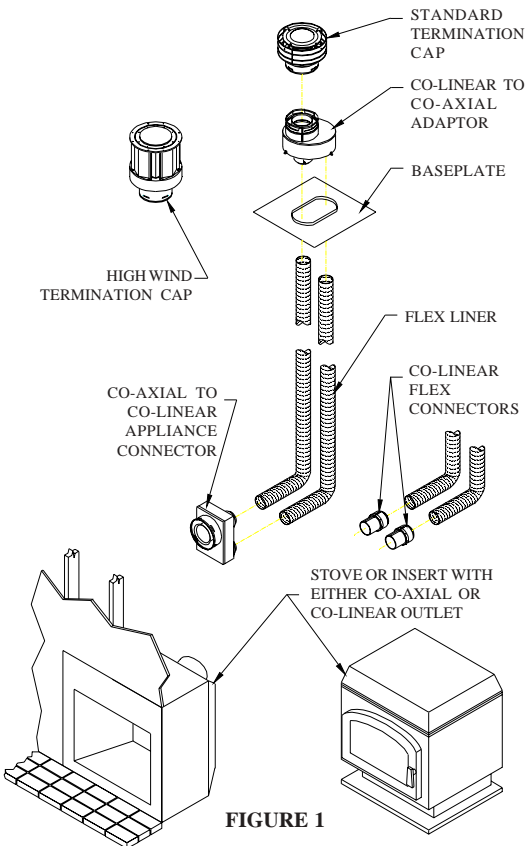


FIGURE 1

Note: For installation in a zero

clearance chimney, you must have at least a 7" I.D. in order to run the two lines of Flex Liner needed.

## INSTALLATION IN MASONRY OR ZERO CLEARANCE CHIMNEY

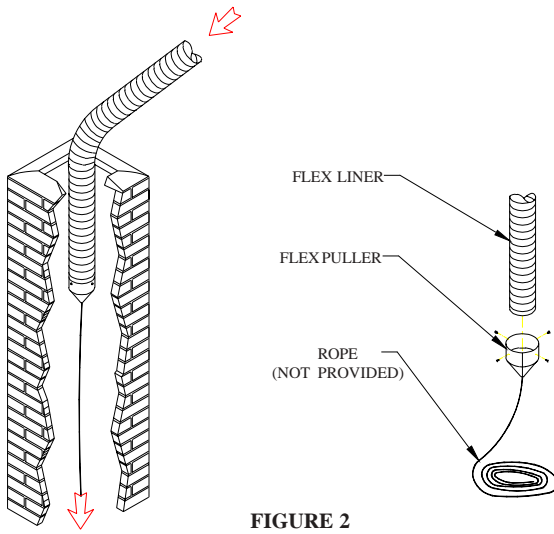


FIGURE 2

**Step 1.** Measure and record dimensions to determine total Flex Liner length requirements (see instructions below for details).

**Step 2.** Insert a rope through the end of the Flex Puller and tie a knot at the end of the rope. Attach the Flex Puller to the Flex Liner using four sheet metal screws as shown. (Figure 2) Carefully feed the liner down the chimney (masonry or zero clearance) and out through the damper. One person should feed

the liner through the chimney, and another person should pull the liner from the bottom, using the rope to guide the liner through to the chimney bottom.

Note: If additional lengths of Flex Liner are needed span the chimney height, use a Flex Coupler to connect the pieces of Flex Liner together. Connect the flex to the coupler by using four sheet metal screws for each side. (Figure 3)

**Step 3.** After carefully feeding the Flex Liner down the chimney to the bottom, form an angle to line up the Flex Liner with the vent opening on the appliance.

Important: Do not let the Flex Liner sag below the level at which it will connect to the

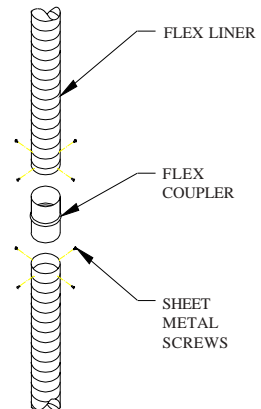


FIGURE 3

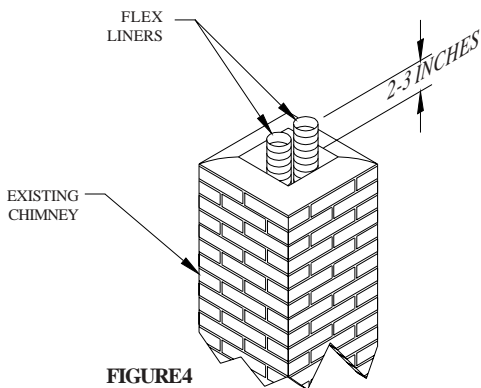


FIGURE 4

appliance or connector. This could allow hot gas to become trapped and potentially become a fire hazard. The Flex Liner path should always be sloped up toward the Termination Cap.

**Step 4.** Remove the Flex Puller from the Flex Liner and temporarily secure the Flex Liner at the top of the chimney. Be sure to leave 2-3 inches of flex above the existing chimney to allow for

connection to the Termination Kit (Baseplate and Adaptor). (Figure 4)

**Step 5.** Repeat Steps 1-4 for the second length of Flex Liner.

**Step 6.** At the top of the chimney, slide the Baseplate over the two ends of the Flex Liner and secure it to the surrounding masonry using masonry anchorbolts. Before installing the baseplate, run a bead of non-hardening sealant between the Baseplate and the masonry to prevent moisture from entering the chimney. (Figure 5)

Note: Verify that there is sufficient room to mount the Baseplate

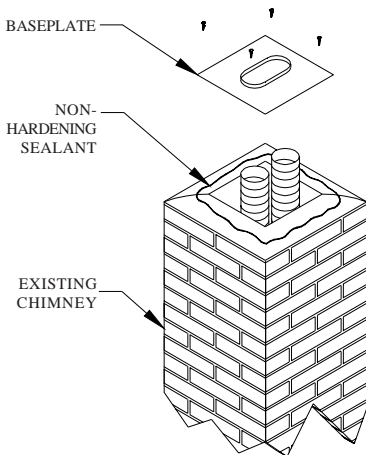


FIGURE 5

on to the masonry. You must have a level surface in order to install the Baseplate properly.

**Step 7.** Attach the Flex Liner ends at the top of the chimney to the Co-Linear to Co-Axial Adaptor. Use four sheet metal screws to connect each Flex Liner run to the Adaptor. (Figure 6)

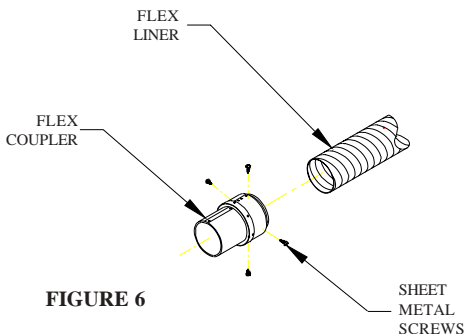


FIGURE 6

Mount the Adaptor to the Baseplate using sheet metal screws as shown. (Figure 7)

**Step 8.** Twist lock the Vertical Termination Cap (Standard or High Wind) to the Adaptor. (Figure 8)

Note: If you are planning to extend the height of the chimney using Direct Vent GS Pipe, please refer to the Direct Vent Installation Instructions for information concerning the proper procedure and restrictions of Direct Vent Pipe. Also, consult the appliance manufacturer for any height restrictions on the chimney.

**Step 9.** Depending upon the type of connection that your appliance has, it will require either the Co-Linear Flex Connectors or a Co-Axial to Co-

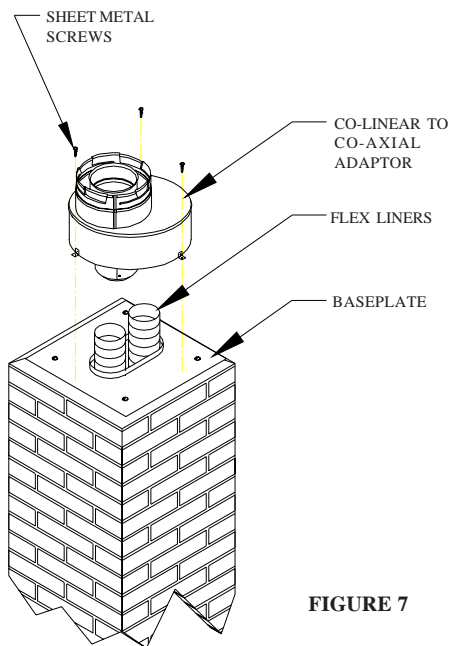


FIGURE 7

Linear Appliance Connector in order to attach the Flex Liners to the appliance. For the Co-Linear connection, attach the Co-Linear Flex Connectors to the two outlets on the back of the appliance. See the appliance manufacturer's instructions for details. Connect the two Flex Liner runs to the Connectors using four sheet metal screws each. For the Co-Axial connection, twist lock the Co-Axial to Co-Linear Appliance Connector to the adaptor on the appliance. Attach the Flex Liners to the Appliance Connector using four sheet metal screws each. (Figure 9) In either case, make sure the Flex Liners do not sag behind the appliance. Finally, move the appliance into its appropriate place.

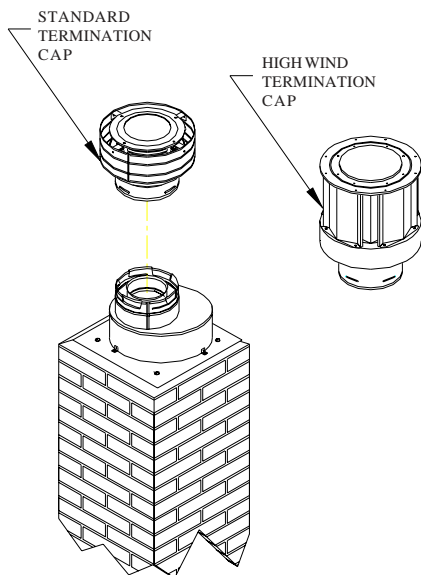
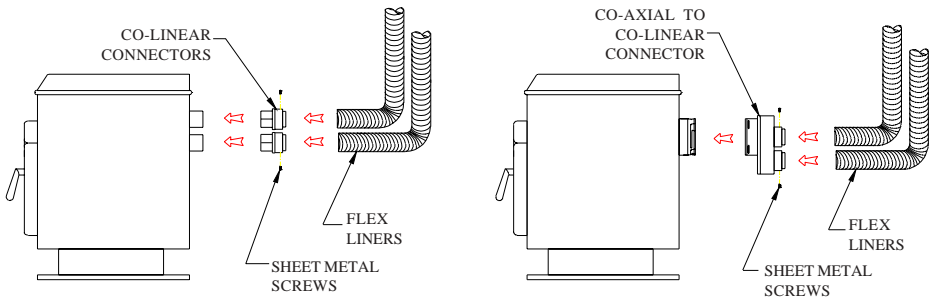


FIGURE 8



**FIGURE 9**

## **GENERAL MAINTENANCE**

Conduct an inspection of the venting system semiannually. Recommended areas to inspect are as follows:

1. Check areas of the Venting System which are exposed to the elements for corrosion. These will appear as rust spots or streaks, and in extreme cases, holes. These component should immediately be replaced.
2. Remove the cap and remove any bird nests, or other foreign material.
3. Check for evidences of excessive condensate, such as water droplets forming in the liners, and subsequently dripping out at joints. Continuous condensate can cause corrosion of caps, liners, and fittings. It may be caused by having exterior portions of the system being exposed to cold weather.

## **LABELS**

All components are labelled with the appropriate identification information, and the UL listing data.

Other products made by Simpson Dura-Vent:

**Dura/Plus** Chimney

**Dura-Vent** Gas Vent (B-Vent)

**Dura-Black** Single Wall Stovepipe

**Dura/Liner** Masonry Reliner

**DVL** Close Clearance Connector Pipe

**Dura/Connect** Single-Wall Connector for B-Vent

**DuraFlex** Masonry Reliner for Gas Appliances

**Designer Series** Accessories



**SIMPSON  
DURA-VENT, INC**  
PO Box 1510  
Vacaville, CA  
95688-1510

Vicksburg, MS

(800)-835-4429  
(707)-446-4740 (FAX)

August 1999  
L952