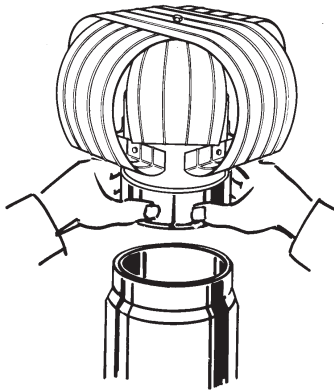


Vacu-Stack[®] Chimney Cap

INSTALLATION INSTRUCTIONS

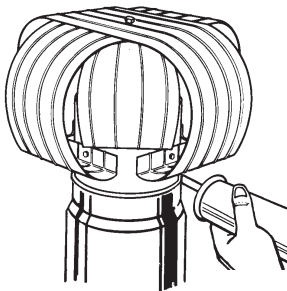
For Round Chimneys — VSS & VSS-TDW Models

Installs quickly, easily, and securely



1. ROUND FLUES

Vacu-Stack chimney caps fit inside round metal and masonry flues. Press the pipe end of the Vacu-Stack into the flue until the fit is snug.

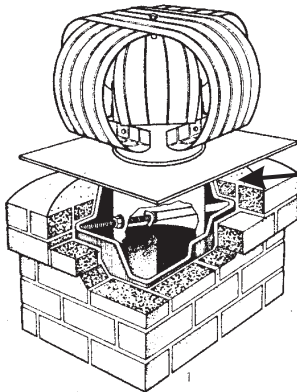


2. WATER TIGHT SEAL

Apply a thin film of silicone caulking (not furnished, but available from your local home center) to seal the joint between the Vacu-Stack and the top of the chimney.

3. AIR COOLED CHIMNEYS REQUIRE TDW MODELS

DO NOT bend the three spacers located on the underside of the TDW models. The spacers maintain ventilation space between the bottom of the Vacu-Stack and the top of the chimney. This is essential for uninterrupted air flow through the cooling channels in air cooled chimneys.



4. SQUARE & RECTANGULAR CHIMNEYS

An Adaptor™ is required for Vacu-Stack installations on square and rectangular chimneys and must be purchased separately. See the Accessories List. The Vacu-Stack fits inside the round collar on the Adaptor.

5. SCREENS

1/2" Spark Arrestor screens are required in some states such as California. See Accessories list.

**Problem Solving Chimney Products
from the Leader in Chimney Technology**



IMPROVED CONSUMER
PRODUCTS INC.

P.O. Box "B", Attleboro Falls, MA 02763
(508) 695-7000 FAX (508) 695-4209

PARTS LIST— All parts are Stainless Steel
 1 Threaded Rod, 1 1/2" dia. Tube, 1 Wing Nut,
 2 Hex Nuts, 1 Flat Washer, 2 Lock Washers

ADAPTOR™

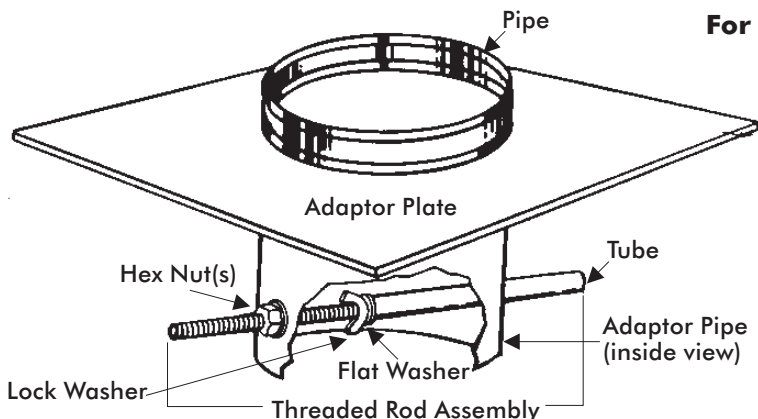
INSTALLATION INSTRUCTIONS

For Vacu-Stack® and WeatherShield® Chimney Caps

Installs quickly, easily, and securely to masonry chimneys.

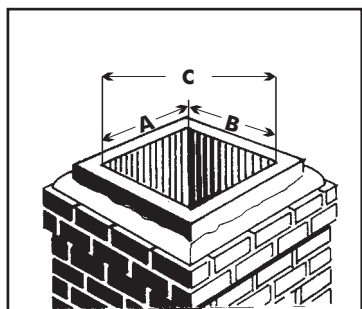
Masonry Adaptor

- 1) Assemble the Threaded Rod Assembly through the two holes at the bottom of the Adaptor collar as shown in the diagram.
- 2) Place Adaptor firmly on top of chimney.
- 3) Align threaded rod diagonally with corners of the flue, turn wing nut clockwise clamping Adaptor to the chimney.

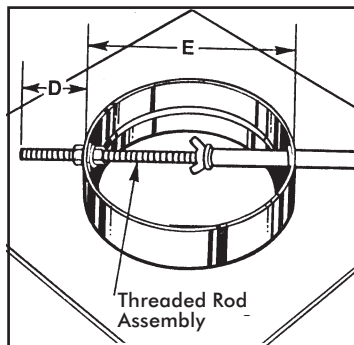


CAUTION — Do not undersize. The size (area) of the Vacu-Stack must not be less than the size of the appliance smoke outlet. For fireplaces, the Vacu-Stack size (area) must not be less than 10% of the front opening area of the fireplace. Use sizing guide.

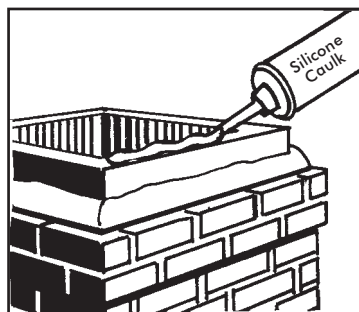
CAUTION — follow these instructions carefully.



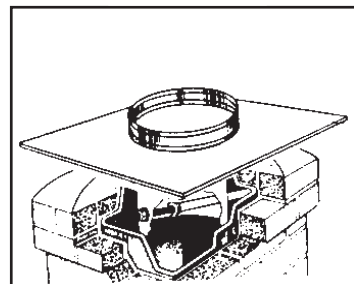
STEP 1
 Measure inside of chimney opening A & B and diagonal C. The Adaptor attaches to the inside of the chimney flue; the shortest dimension A or B of the flue opening determines the maximum size that may be installed. The Adaptor plate must be large enough to cover the opening.



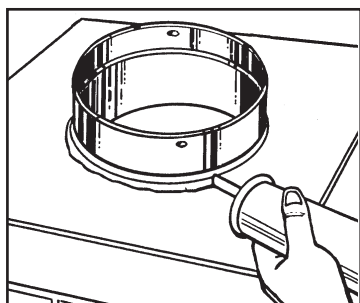
STEP 2
 Adjust threaded rod so it projects distance D from side of Adaptor pipe. D equals 1/2 times C (shown in Step 1) minus E. $D = 1/2 \times (C - E)$.



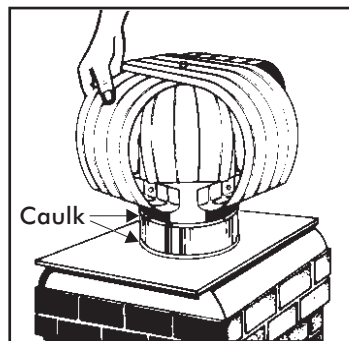
STEP 3
 Brush clean the top of the flue and apply a bead of Silicon Caulking, available from most local home centers.



STEP 4
 Position Adaptor in the chimney with fixed end of Threaded Rod touching an inside corner of the flue. Turn Wing Nut clockwise until tube firmly grips opposite corner of the flue. Do not over tighten.



STEP 5
 Apply a bead of Silicon Caulking at the location where the pipe connects to the Adaptor plate.



STEP 6
 Slide the Vacu-Stack into the inside of the Adaptor pipe. Seat firmly. Seal top joint with Silicon Caulking.